

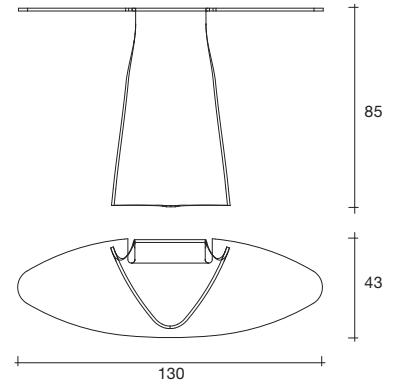


## dama

modello registrato  
registered model

DESIGN  
MAKIO HASUIKE

portata sul piano: 40 kg  
load capacity on shelf: 40 kg



Consolle monolitica in vetro curvato  
da 12 mm.

*Monolithic console in 12 mm-thick  
curved glass.*

dimensioni L, P, H  
dimensions L, W, H  
(cm)

COD./CODE

L

P/W

H

peso netto  
net weight  
(kg)

peso lordo  
gross weight  
(kg)

volume imballo  
package volume  
(m<sup>3</sup>)

Consolle.  
Console.

**1400**

130

43

85

26

50

0,75